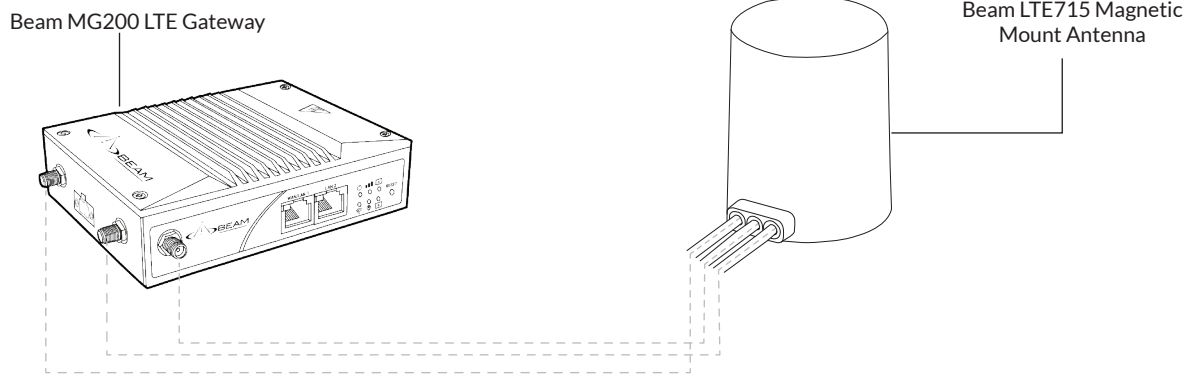


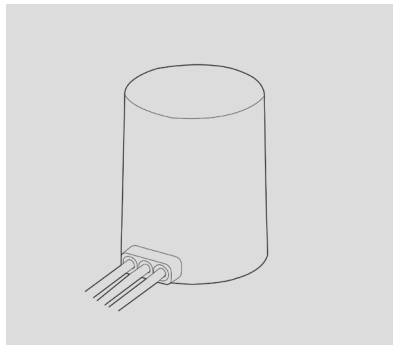
Installation Guide for Beam LTE Vehicular Magnetic Mount Bundle (MG200-VMB)



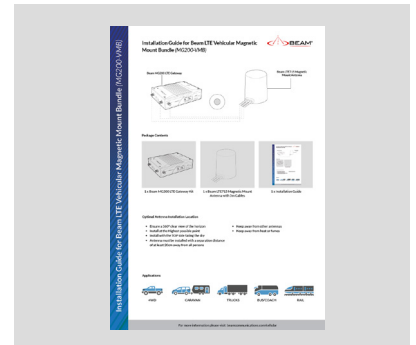
Package Contents



1 x Beam MG200 LTE Gateway Kit



1 x Beam LTE715 Magnetic Mount Antenna with 5m Cables



1 x Installation Guide

Optimal Antenna Installation Location

- Ensure a 360° clear view of the horizon
- Install at the Highest possible point
- Install with the TOP side facing the sky
- Antenna must be installed with a separation distance of at least 20cm away from all persons
- Keep away from other antennas
- Keep away from heat or fumes

Applications



4WD



CARAVAN



TRUCKS

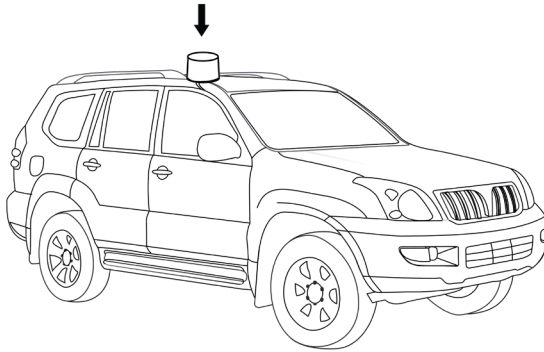


BUS/COACH



RAIL

1. Attach the Beam LTE715 Magnetic Mount Antenna onto the roof of the vehicle.



WARNING!

When moving or temporarily removing the antenna, be careful not to scratch the surface of the vehicle. Lift Off, NOT slide Off.

2. Cable Installation

- Install cable through a door frame
- Do not run the cables through a window
- Keep away from heat and turning parts
- Use cable ties to anchor the cables

3. Selecting a location to install the MG200 LTE Gateway

- Locate at a cool, dry, well-ventilated area way from any heat sources
- Check that the LED lights and connectors on the LTE Gateway are accessible to users
- Ensure adequate clearance for cabling and Wi-Fi antennas

4. To install the MG200 LTE Gateway, refer to the MG200 LTE Gateway Quick Start Guide section 1-4. For power connection, make use of the fused DC power cable supplied in the kit.

5. Connecting Antenna cables to the MG200 LTE Gateway

- Connect the RED CABLES to the CELL MAIN and CELL AUX ports.
- Connect the BLUE CABLE to the GPS port

6. To complete the installation and configuration refer to the MG200 LTE Gateway Quick Start Guide section 5 and onwards.



030182 R01