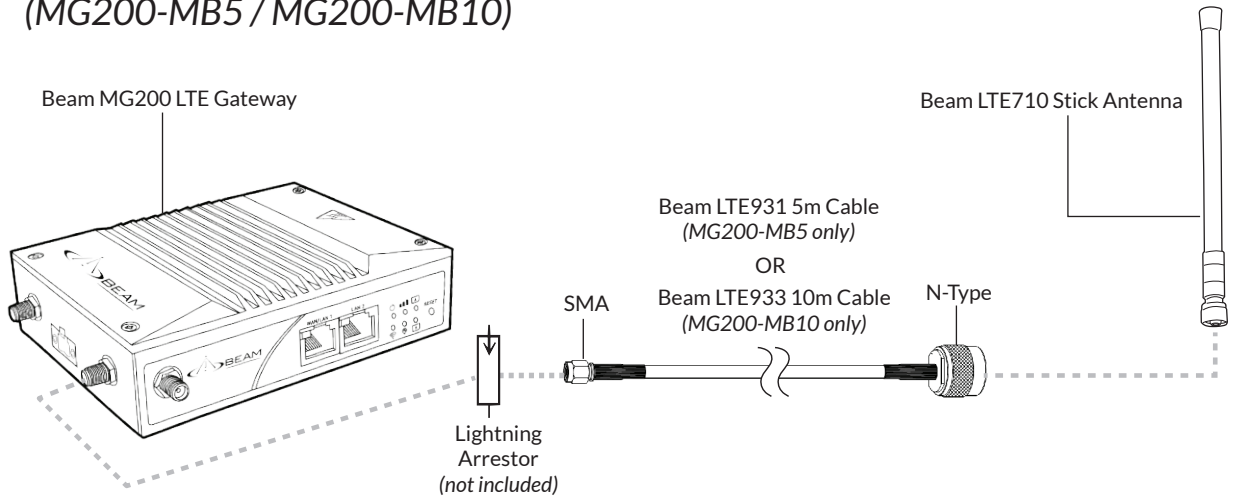


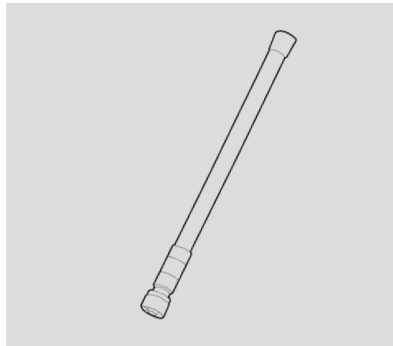
Installation Guide for Beam LTE Marine Bundle (MG200-MB5 / MG200-MB10)



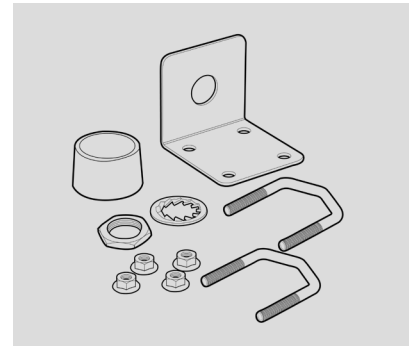
Package Contents



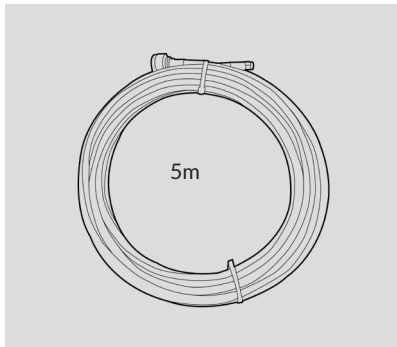
1 x Beam MG200 LTE Gateway Kit



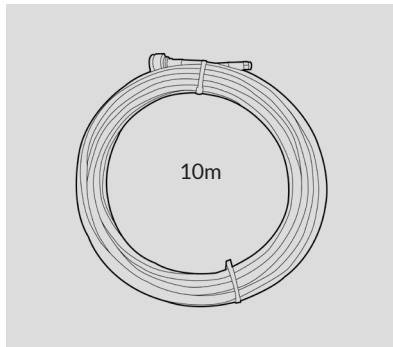
1 x Beam LTE710 Stick Antenna



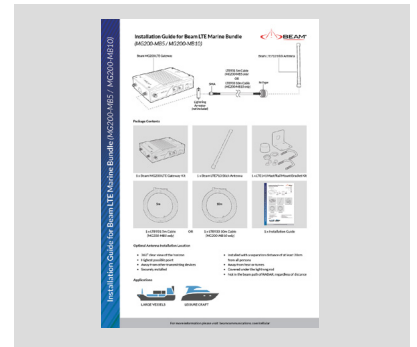
1 x LTE141 Mast/Rail Mount Bracket Kit



1 x Beam LTE931 5m Cable
(MG200-MB5 only)



1 x Beam LTE933 10m Cable
(MG200-MB10 only)



1 x Installation Guide

Optimal Antenna Installation Location

- 360° clear view of the horizon
- Highest possible point
- Away from other transmitting devices
- Securely installed
- Installed with a separation distance of at least 20cm from all persons
- Away from heat or fumes
- Covered under the lightning rod
- Not in the beam path of RADAR, regardless of distance

Applications



LARGE VESSELS



LEISURE CRAFT

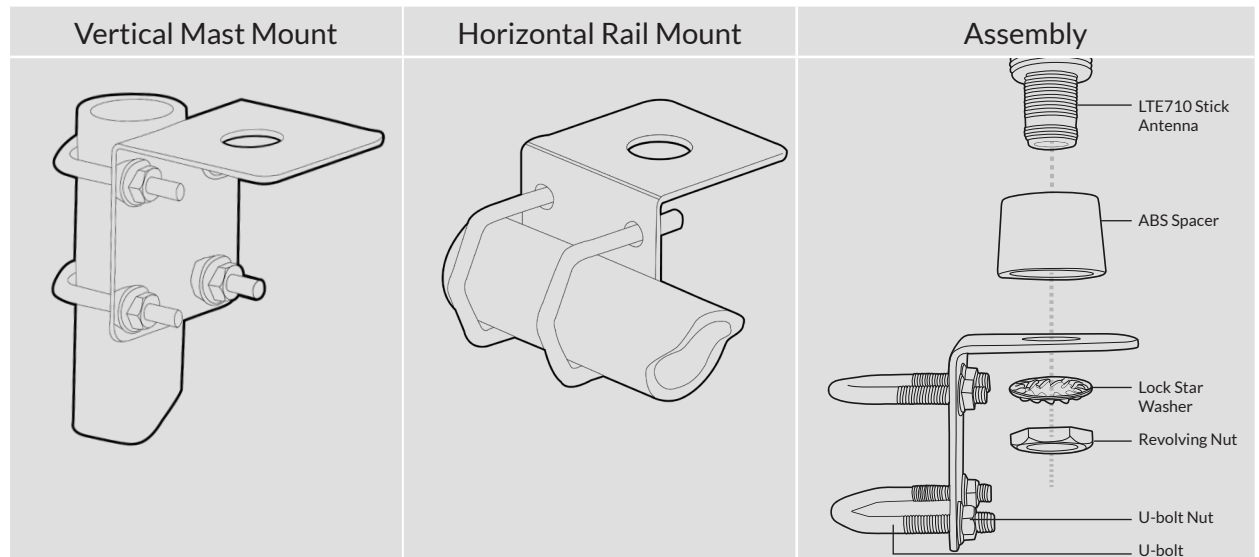
Antenna Installation

1. Install the LTE141 Mast/Rail Mount Bracket on a vertical mast or horizontal rail (Ø 10 - 30 mm). Then mount the antenna.



WARNING!

For lightning protection, the mast or rail shall be connected to the common ground of the boat.



2. Connect and tighten the N-Type connector of the antenna cable to the bottom of the antenna. When installing the antenna cable, follow these guidelines:

- Route and restrain the cable to prevent it from vibrating or moving under normal conditions, which could result in damage to the cable or its connectors
- Wherever the cable contacts a structure, protect the cable from chafing or abrasion. If the cable needs to be bent, avoid kinking it, and ensure that each bend radius follows the following limits.
LTE931 bend radius: 12.7mm. LTE933 bend radius: 25.4mm
- Use coaxial sealant, shrink-wrap tubing, electrical tape, or other suitable products to seal all cable connections appropriately to prevent moisture and corrosion damage from weather exposure

3. Select location to install the MG200 LTE Gateway

- Locate a cool, dry, well-ventilated area away from any heat sources
- Check the LED lights and connectors on the LTE Gateway are accessible to users
- Ensure adequate clearance for cabling and Wi-Fi antennas

4. To install the MG200 LTE Gateway, refer to the MG200 LTE Gateway Quick Start Guide section 1-4.



WARNING!

The MG200 DC Power Source GND (and the grounding point) SHALL have the same voltage potential as the antenna. During operation, the PWR should be always DC 9-36V higher than the GND.

5. Connect the SMA port of the antenna cable to the CELL MAIN port of the MG200 LTE Gateway.



WARNING!

Recommended: A Lightning Arrestor is fitted on MG200 side.

6. To complete the installation and configuration refer to the MG200 LTE Gateway Quick Start Guide section 5 and onwards.



030183 R01